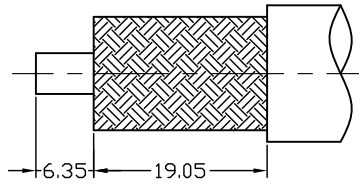
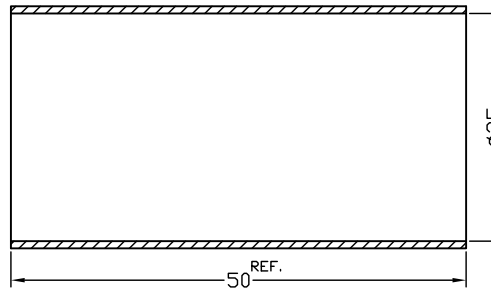
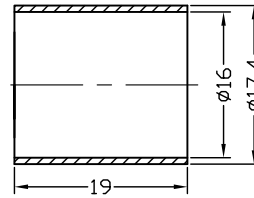
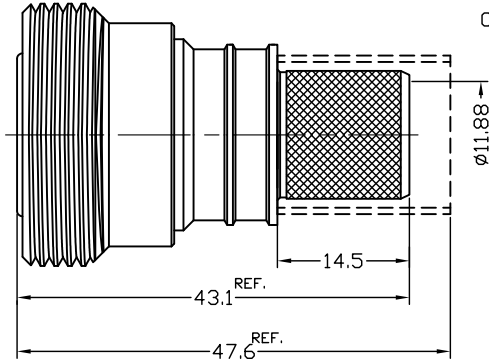


NOTICE OF PROPRIETARY RIGHTS THIS DOCUMENT CONTAINS CONFIDENTIAL TECHNICAL DATA, INCLUDING TRADE SECRETS, PROPRIETARY TO TIMES MICROWAVE SYSTEMS. DISCLOSURE OF THIS DATA IS EXPRESSLY CONDITIONED UPON YOUR ASSENT THAT ITS USE IS LIMITED TO USE WITHIN YOUR COMPANY ONLY. ANY OTHER USE IS STRICTLY PROHIBITED WITHOUT THE PRIOR WRITTEN CONSENT OF TIMES MICROWAVE SYSTEMS.

SYM	REVISION DESCRIPTION	DFTM	DATE	APPD	DATE
A	RELEASED FOR PRODUCTION	D. J. H.	1/14/09	J. D. B.	1/14/09
B	CHANGED PER CDC #31608	K. A. M.	4/21/10	J. D. B.	4/23/10



RECOMMENDED
CABLE STRIPPING DIM'S



NOTICE:
RoHS ALL PARTS MUST MEET TO RoHS REQUIREMENTS

MATERIALS AND PLATING		UNIT: MICRO-INCHES
BODY	BRASS PER C3604	ALBALOY PLATING 80µ"/COPPER
CONTACT PIN	C17300.	SILVER 200µ"/COPPER
INSULATOR	TEFLON MIL-P-19468	
FERRULE	COPPER	ALBALOY PLATING 80µ"/COPPER
HEAT SHRINK	P0	

(MECHANICAL CHARACTERISTICS)	
Force to engage and disengage	6 lbs MAX.
Center contact retention force	6 lbs MIN.
Coupling torque	N/A
Coupling nut retention force	N/A
Durability	≥ 500 cycles

ELECTRICAL CHARACTERISTICS	
Impedance	50 Ω
Voltage rating	1000V(rms)
Frequency range	0~5GHz
Dielectric withstanding voltage	1500V
Contact resistance	Center contact): ≤1.5mΩ Outer contact≤1m Ω
Insulation resistance	≥5000MΩ
Insertion loss	According as the cable
RF- leakage	N/A
VSWR	N/A
3rd Intermodulation	-

ENVIRONMENTAL CHARACTERISTICS	
Temperature range	-55°C- +155°C
Thermal shock	US MIL- STD 202, Meth. 107, Cond. B
Vibration	US MIL- STD 202, Meth. 204, Cond. B
	IEC 60068 65/165/21

- NOTES:
1. CONTACT PIN IS CAPTIVE.
2. CRIMP THE FERRULE TO .610" HEX.

MATL:	UNLESS OTHERWISE SPECIFIED	DFTM. D. J. H.	TIMES MICROWAVE SYSTEMS
		DATE 1/14/09	
USED ON: 0	ALL DIMENSIONS ARE IN mm MACHINED SURFACES FINISH 1.6 RMS MAX. REMOVE ALL BURRS 0.15X45° MAX. BREAK MACHINE CORNERS 0.15X45° MAX. FILLET R. TOLERANCES ON DECIMALS . X ± 0.2 . XX ± 0.1 ANGLES ± 3° FRACTIONS ± N/A	CHKD. J. D. B.	EZ-600-716F 7/16 DIN FEMALE FOR LMR-600 CABLE
		DATE 1/14/09	
SCALE: N/A	DWG. SIZE A	APPD. J. D. B.	SHEET 1 of 1 SD3190-2447 REV B
DO NOT SCALE DRAWING	CODE IDENT 68999	DATE 1/14/09	