

3 1 9 0 - 6 4 0 8

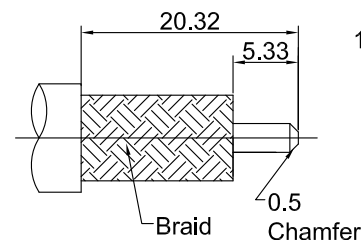
EZ-400-NMH-75-X
3190-6408

**Type N Male (Plug) Straight Non-Solder
Pin No Braid Trim Connector for
LMR-400-75 Cable**

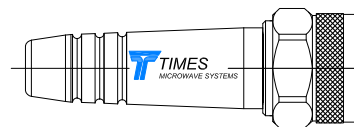
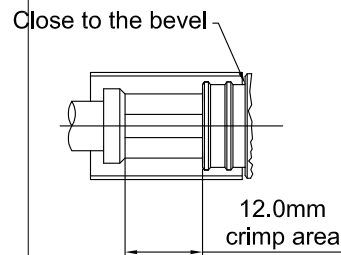
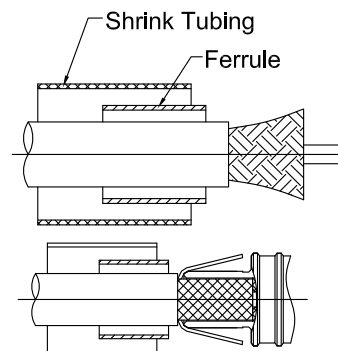
YYWW

Made in China

Installation Instruction



All dimensions in millimeters



1. A. Trim cable to dimensions shown using the CST-400 prep tool. Be careful to avoid nicking the braid
B. Remove any residual plastic from center conductor
C. Deburr center conductor using a fine file or Times DBT-U tools

2. A. Slide crimp ferrule and heat shrink tubing over the cable
B. Flare the braid

3. A. Insert cable into connector body until dielectric is seated and center conductor is inserted fully into connector center pin.

4. A. Slide crimp ferrule over braid and crimp as close to body as possible using .429" HEX crimp tooling. Pay attention to the crimp area, do not crimp rear of crimp sleeve
B. Heat shrink tube over rear of connector body and down on to cable jacket using hot air gun

Times supply rubber boot 3109-394 (WSB-400) as an option to instead of heat shrink tube.

Refer to www.timesmicrowave.com for install videos