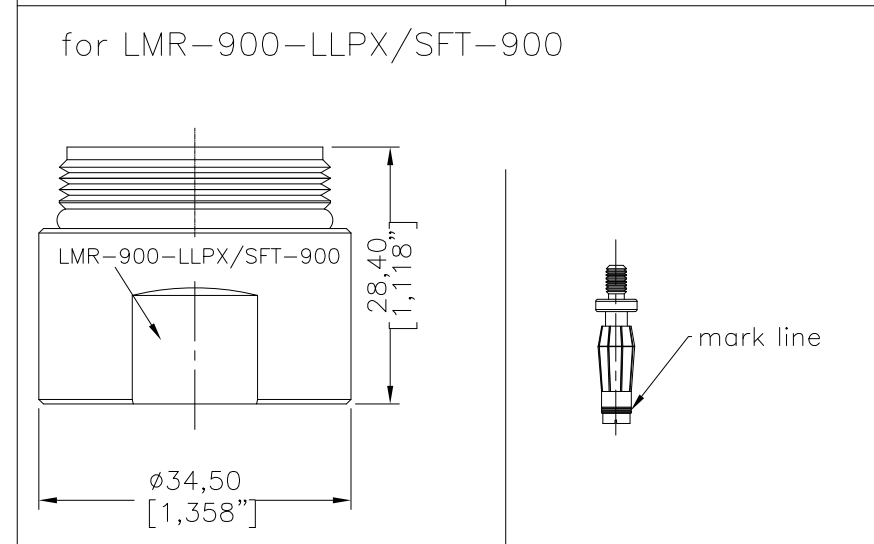
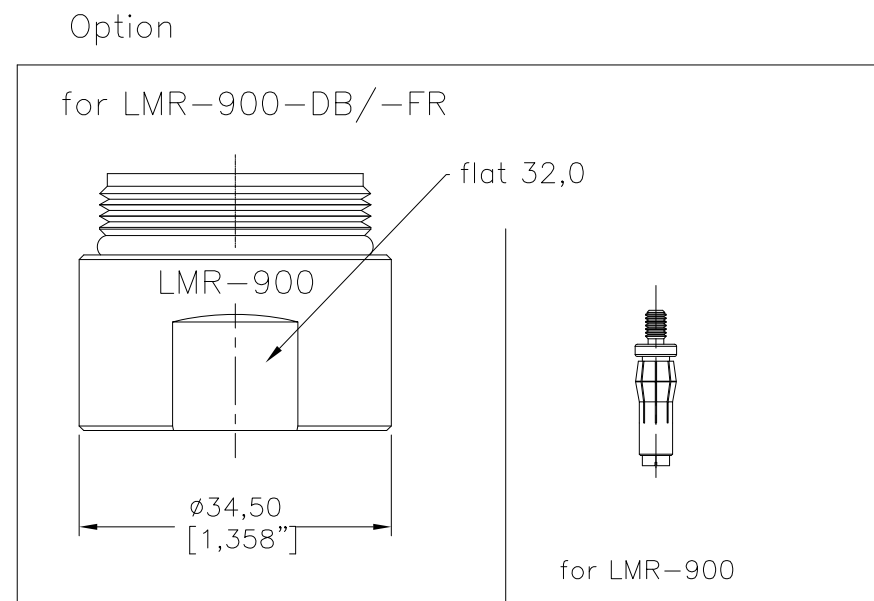
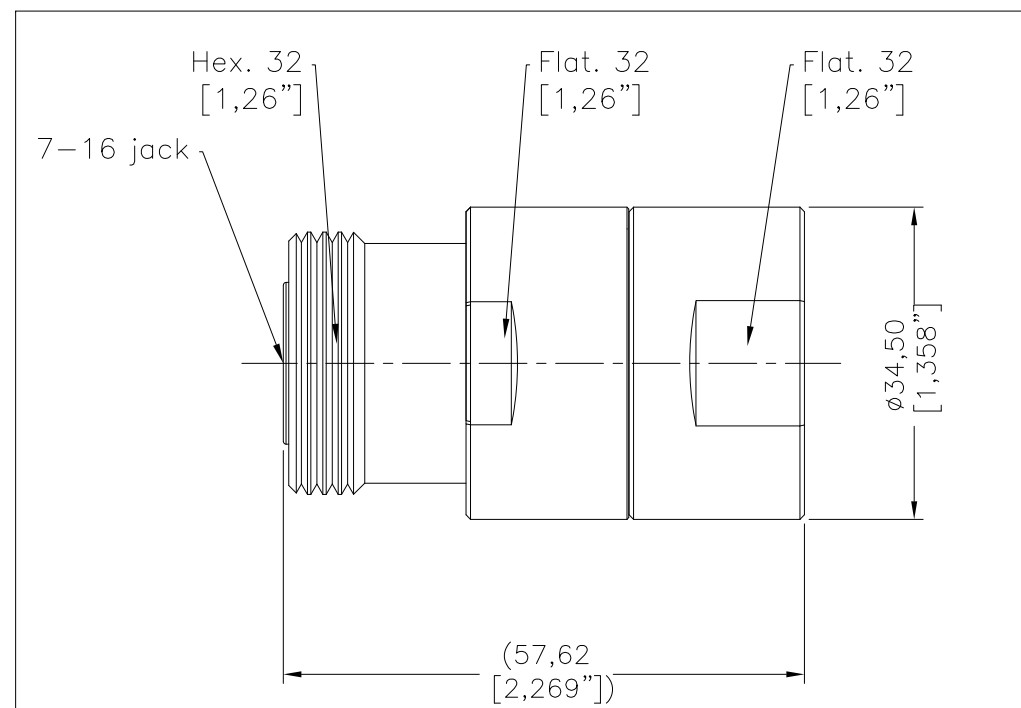
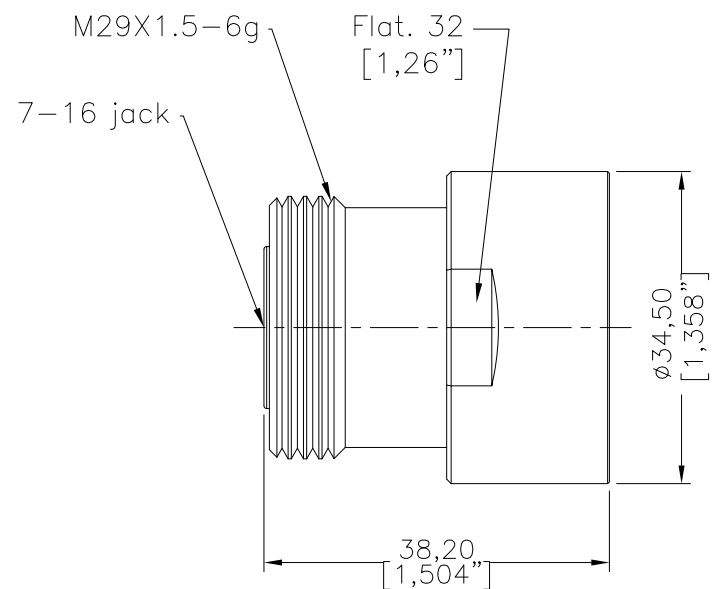


SYM	REVISION DESCRIPTION	DFTM	DATE	APPD	APPD
A	RELEASED FOR PRODUCTION	Patrick	2018/09/26	Joslen	2018/09/26
B	Two nuts option for all 900 cable	Patrick	2019/01/14	Joslen	2019/01/14



**I. MATERIALS & FINISHES**

Components	Materials	Finishes	Thk. (μ")
Body	Brass	Albaloy	80
Center Cont.	Brass/QBe2	Silver	200
Coupling Nut	Brass	Nickel	200
Insulator	PTFE	--	--
Gasket	Silicone	--	--

**II. ELECTRICAL PROPERTIES**

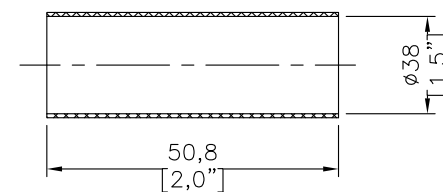
<b>Impedance (Ω):</b>	50
Frequency Range (GHz):	DC to 6 GHz
Dielectric Withstanding Voltage (V):	4000
Insulation Resistance (MΩ):	≥10000
VSWR:	≤1.30
Insertion Loss(dB, f/GHz):	-0.1x √f

**III. ENVIRONMENT PROPERTIES**

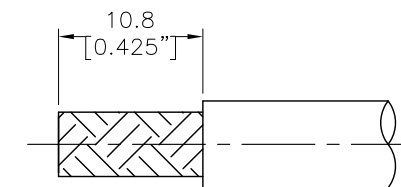
Temperature Range:	-40°C~+125°C
Thermal Shock:	IEC 60068-2-14-Na
Vibration:	IEC 60068-2-6 Fc
Shock:	IEC 60068-2-27
Climatic Class:	IEC 60068 55/155/56
(2002/95/EC)RoHS:	Compliant

**IV. MECHANICAL PROPERTIES**

Center Cont.:	Finger Contact
Outer Cont.:	Clamp
Coupling Nut Torque (N.m):	25
Cbl-Connector Retention Force (N):	1000
Durability (cycles):	500



Shrink Tube (1,5"x2,0" 3:1)



RECOMMENDED CABLE STRIPPING DIM'S  
Connector adds: 28,7mm [1,13"]

Compatible with Standard: IEC 61169-4

MATL:	UNLESS OTHERWISE SPECIFIED	DFTM. Patrick	
USED ON: O	ALL DIMENSIONS ARE IN mm MACHINED SURFACES FINISH 1.6 RMS MAX. REMOVE ALL BURRS 0.15X45° MAX. BREAK MACHINE CORNERS 0.15X45° D MAX. FILLET R. TOLERANCES ON DECIMALS .X ±0.3 .XX ±0.15 ANGLES ±2° FRACTIONS ± N/A	DATE 2019/01/14	
SCALE: N/A DWG SIZE A4	DO NOT SCALE DRAWING	CHKD Monica	
	CODE IDENT 68999	DATE 2019/01/14	
<p>7-16 Female (Jack) Straight Non- Solder Pin Connector for LMR-900/LMR-900-LLPX/SFT-900 Cable</p>			<p><b>EZ-900-716FC-2-SP</b></p>
<p>DATE 2019/01/14</p>			
<p>1 OF 1</p>			<p>3190-6512</p>
<p>DATE 2019/01/14</p>			<p>R E V B</p>