



MAXGAIN®-130

HIGH PERFORMANCE MICROWAVE COAXIAL CABLE

MaxGain® Assemblies are high-performance, ultra-low-loss microwave coaxial cables. Built with our unique spiral outer conductor technology, this light-weight cable is a reliable, high frequency interconnect solution.

FEATURES

- Optimized for lowest attenuation at 50 GHz
- Ultra stable insertion loss, phase and VSWR with flexing
- Flexible, low minimum bend radius
- Superior shielding effectiveness (>90 dB)

Mechanical Properties

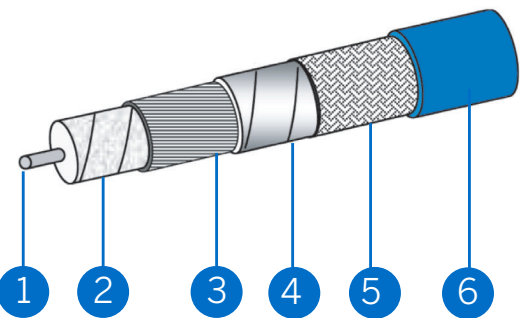
	Units	
Diameter	in (mm)	0.131 (3.33)
Weight	lb/ft (kg/m)	0.018 (0.027)
Minimum Bend Radius	in(mm)	0.625 (15.9)
Operating Temperature	°F (°C)	-67° to 302° (-55° TO 150°)

Electrical Properties

	Units	
Impedance	Ω	50 +/- 2
Maximum Frequency	GHz	53
Capacitance	pF/ft (pF/m)	25.4 (83.3)
Velocity of Propagation		80%
Delay	ns/ft (ns/m)	1.27 (4.17)
Shielding		>90dB minimum
Attenuation	dB/ft	dB/m
18.0 GHz	0.61	(1.99)
50.0 GHz	1.04	(3.42)

KEY APPLICATIONS

- 5G high frequency
- Space environment
- Test and measurement



- | | | |
|---|-------------------------|----------------------|
| 1 | Center Conductor | Silver Plated Copper |
| 2 | Dielectric | Microporus PTFE |
| 3 | Shield | Silver Plated Copper |
| 4 | Interlayer | Metalized Tape |
| 5 | Outer Braid | Silver Plated Copper |
| 6 | Jacket | Blue FEP |

MAXGAIN®-130

HIGH PERFORMANCE MICROWAVE COAXIAL CABLE

Ordering Guide

MG130-KMKF-01.0-M

Interface

KM K Male
KF K Female
SM SMA Male
SF SMA Female

Length

Units of Measure

M Meters
F Feet



Heritage—in the air and on the ground, thousands of assemblies built over decades



Global manufacturing capability: US, Mexico, India & China



Assembled and tested MaxGain assemblies provide assured performance

WORLD HEADQUARTERS

358 Hall Avenue, Wallingford, CT 06492
1-800-867-2629

T
TIMES
MICROWAVE SYSTEMS
AN AMPHENOL COMPANY