



MAXGAIN®-130

HIGH PERFORMANCE MICROWAVE COAXIAL CABLE

MaxGain® Assemblies are high-performance, ultra-low-loss microwave coaxial cables. Built with our unique spiral outer conductor technology, this light-weight cable is a reliable, high frequency interconnect solution.

FEATURES

- Optimized for lowest attenuation at 50 GHz
- Ultra stable insertion loss, phase and VSWR with flexing
- Flexible, low minimum bend radius
- Superior shielding effectiveness (>90 dB)

Mechanical Properties

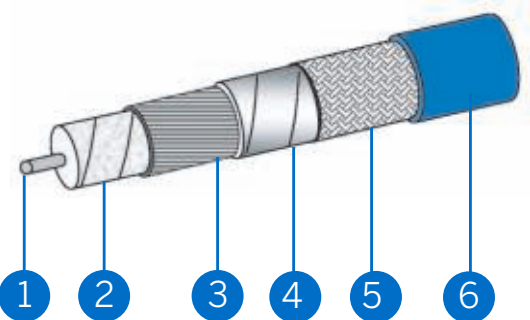
	Units	
Diameter	in (mm)	0.131 (3.33)
Weight	lb/ft (kg/m)	0.018 (0.027)
Minimum Bend Radius	in(mm)	0.625 (15.9)
Operating Temperature	°F (°C)	-67° to 302° (-55° TO 150°)

Electrical Properties

	Units	
Impedance	Ω	50 +/- 2
Maximum Frequency	GHz	53
Capacitance	pF/ft (pF/m)	25.4 (83.3)
Velocity of Propagation		80%
Delay	ns/ft (ns/m)	1.27 (4.17)
Shielding		>90dB minimum
Attenuation	dB/ft	dB/m
18.0 GHz	0.61	(1.99)
50.0 GHz	1.04	(3.42)

KEY APPLICATIONS

- 5G high frequency
- Space environment
- Test and measurement



- | | | |
|---|-------------------------|----------------------|
| 1 | Center Conductor | Silver Plated Copper |
| 2 | Dielectric | Microporus PTFE |
| 3 | Shield | Silver Plated Copper |
| 4 | Interlayer | Metalized Tape |
| 5 | Outer Braid | Silver Plated Copper |
| 6 | Jacket | Blue FEP |

MAXGAIN®-130

HIGH PERFORMANCE MICROWAVE COAXIAL CABLE

Ordering Guide

MG130-KMKF-01.0-M

Interface

KM K Male
KF K Female
SM SMA Male
SF SMA Female

Length

Units of Measure

M Meters
F Feet



Heritage—in the air and on the ground, thousands of assemblies built over decades



Global manufacturing capability: US, Mexico, India & China



Assembled and tested MaxGain assemblies provide assured performance

WORLD HEADQUARTERS

358 Hall Avenue, Wallingford, CT 06492
1-800-867-2629

T
TIMES
MICROWAVE SYSTEMS
AN AMPHENOL COMPANY



MAXGAIN®-160

HIGH PERFORMANCE MICROWAVE COAXIAL CABLE

MaxGain® Assemblies are high-performance, ultra-low-loss microwave coaxial cables. Built with our unique spiral outer conductor technology, this light-weight cable is a reliable, high frequency interconnect solution.

FEATURES

- Optimized for lowest attenuation at 40 GHz
- Ultra stable insertion loss, phase and VSWR with flexing
- Flexible, low minimum bend radius
- Superior shielding effectiveness (>90 dB)

Mechanical Properties

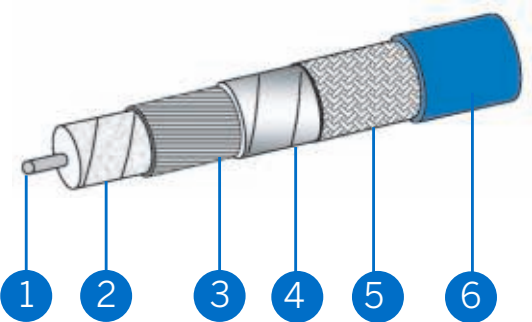
	Units	
Diameter	in (mm)	0.156 (3.96)
Weight	lb/ft (kg/m)	0.026 (0.038)
Minimum Bend Radius	in(mm)	0.75 (19.0)
Operating Temperature	°F (°C)	-67° to 302° (-55° TO 150°)

Electrical Properties

	Units	
Impedance	Ω	50 +/- 2
Maximum Frequency	GHz	40
Capacitance	pF/ft (pF/m)	25.00 (82.0)
Velocity of Propagation		80%
Delay	ns/ft (ns/m)	1.28 (4.20)
Shielding		>90dB minimum
Attenuation	dB/ft	dB/m
18.0 GHz	0.52	(1.50)
40.0 GHz	0.795	(2.61)

KEY APPLICATIONS

- 5G high frequency
- Space environment
- Test and measurement



- | | | |
|---|-------------------------|----------------------|
| 1 | Center Conductor | Silver Plated Copper |
| 2 | Dielectric | Microporus PTFE |
| 3 | Shield | Silver Plated Copper |
| 4 | Interlayer | Metalized Tape |
| 5 | Outer Braid | Silver Plated Copper |
| 6 | Jacket | Blue FEP |

MAXGAIN®-160

HIGH PERFORMANCE MICROWAVE COAXIAL CABLE

Ordering Guide

MG160-KMKF-01.0-M

Interface

KM K Male
KF K Female
SM SMA Male
SF SMA Female

Length

Units of Measure

M Meters
F Feet



Heritage—in the air and on the ground, thousands of assemblies built over decades



Global manufacturing capability: US, Mexico, India & China



Assembled and tested MaxGain assemblies provide assured performance

WORLD HEADQUARTERS

358 Hall Avenue, Wallingford, CT 06492
1-800-867-2629

T
TIMES
MICROWAVE SYSTEMS
AN AMPHENOL COMPANY



MAXGAIN®-200

HIGH PERFORMANCE MICROWAVE COAXIAL CABLE

MaxGain® Assemblies are high-performance, ultra-low-loss microwave coaxial cables. Built with our unique spiral outer conductor technology, this light-weight cable is a reliable, high frequency interconnect solution.

FEATURES

- Optimized for lowest attenuation at 30 GHz
- Ultra stable insertion loss, phase and VSWR with flexing
- Flexible, low minimum bend radius
- Superior shielding effectiveness (>90 dB)

Mechanical Properties

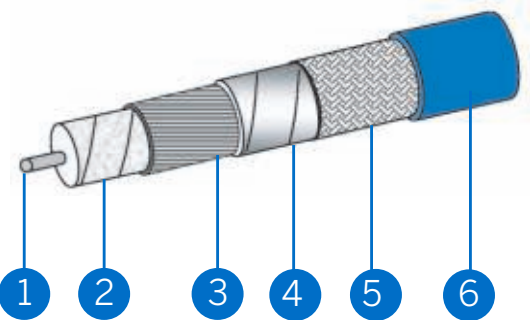
	Units	
Diameter	in (mm)	0.197 (5.00)
Weight	lb/ft (kg/m)	0.037 (0.055)
Minimum Bend Radius	in(mm)	1.25 (31.8)
Operating Temperature	°F (°C)	-67° to 302° (-55° TO 150°)

Electrical Properties

	Units	
Impedance	Ω	50 +/- 2
Maximum Frequency	GHz	30
Capacitance	pF/ft (pF/m)	25.40 (83.3)
Velocity of Propagation		80%
Delay	ns/ft (ns/m)	1.27 (4.20)
Shielding		>90dB minimum
Attenuation	dB/ft	dB/m
18.0 GHz	0.356	(1.17)
28.5 GHz	0.457	(2.61)

KEY APPLICATIONS

- 5G high frequency
- Space environment
- Test and measurement



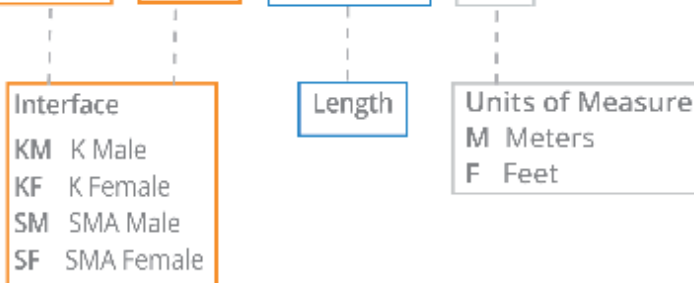
- | | | |
|---|-------------------------|----------------------|
| 1 | Center Conductor | Silver Plated Copper |
| 2 | Dielectric | Microporus PTFE |
| 3 | Shield | Silver Plated Copper |
| 4 | Interlayer | Metalized Tape |
| 5 | Outer Braid | Silver Plated Copper |
| 6 | Jacket | Blue FEP |

MAXGAIN[®]-200

HIGH PERFORMANCE MICROWAVE COAXIAL CABLE

Ordering Guide

MG200-KM-KF-01.0-M



Heritage—in the air and on the ground, thousands of assemblies built over decades

Global manufacturing capability: US, Mexico, India & China

Assembled and tested MaxGain assemblies provide assured performance

WORLD HEADQUARTERS

358 Hall Avenue, Wallingford, CT 06492
1-800-867-2629





MAXGAIN®-300

HIGH PERFORMANCE MICROWAVE COAXIAL CABLE

MaxGain® Assemblies are high-performance, ultra-low-loss microwave coaxial cables. Built with our unique spiral outer conductor technology, this light-weight cable is a reliable, high frequency interconnect solution.

FEATURES

- Optimized for lowest attenuation at 18 GHz
- Ultra stable insertion loss, phase and VSWR with flexing
- Flexible, low minimum bend radius
- Superior shielding effectiveness (>90 dB)

Mechanical Properties

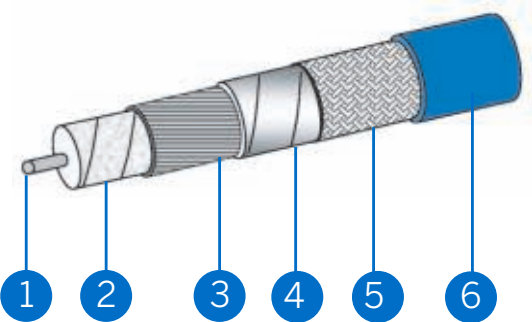
	Units	
Diameter	in (mm)	0.310 (7.88)
Weight	lb/ft (kg/m)	96.0 (138.5)
Minimum Bend Radius	in(mm)	1.75 (44.5)
Operating Temperature	°F (°C)	-67° to 302° (-55° TO 150°)

Electrical Properties

	Units	
Impedance	Ω	50 +/- 2
Maximum Frequency	GHz	18.0
Capacitance	pF/ft (pF/m)	24.8 (81.2)
Velocity of Propagation		81%
Delay	ns/ft (ns/m)	1.25 (4.10)
Shielding		>90dB minimum
Attenuation	dB/ft	dB/m
12.0 GHz	0.16	(.52)
18.0 GHz	0.22	(.72)

KEY APPLICATIONS

- 5G high frequency
- Space environment
- Test and measurement



- | | | |
|---|-------------------------|----------------------|
| 1 | Center Conductor | Silver Plated Copper |
| 2 | Dielectric | Microporus PTFE |
| 3 | Shield | Silver Plated Copper |
| 4 | Interlayer | Metalized Tape |
| 5 | Outer Braid | Silver Plated Copper |
| 6 | Jacket | Blue FEP |

MAXGAIN®-300

HIGH PERFORMANCE MICROWAVE COAXIAL CABLE

Ordering Guide

MG300-KMKF-01.0-M

Interface

KM K Male
KF K Female
SM SMA Male
SF SMA Female

Length

Units of Measure

M Meters
F Feet



Heritage—in the air and on the ground, thousands of assemblies built over decades



Global manufacturing capability: US, Mexico, India & China



Assembled and tested MaxGain assemblies provide assured performance

WORLD HEADQUARTERS

358 Hall Avenue, Wallingford, CT 06492
1-800-867-2629

T
TIMES
MICROWAVE SYSTEMS
AN AMPHENOL COMPANY