



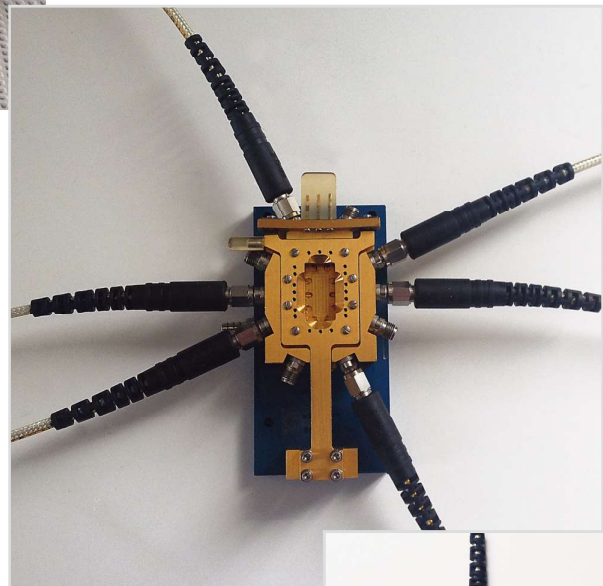
- Production test for small sized RF products
- Edge launch testing
- General purpose RF Interconnects through 26.5 Ghz

SilverLine®-ExtraFlex was designed for testing delicate components such as exposed RF circuits with edge launch connectors. Thin, lightweight and flexible, this coax makes handling PC boards easy yet does not compromise RF stability and isolation. Using Times' proprietary TF-4 dielectric SilverLine®-ExtraFlex goes one step further, exhibiting linear phase change from 0°C to +30°C (see graph).

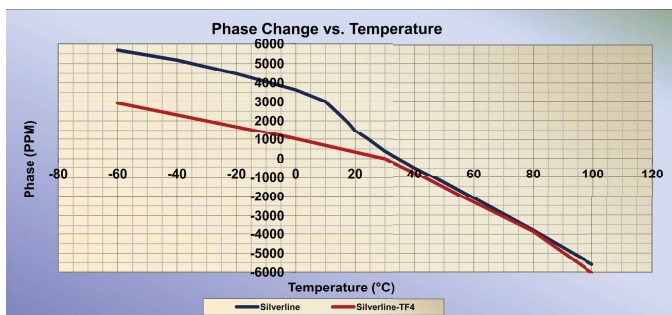
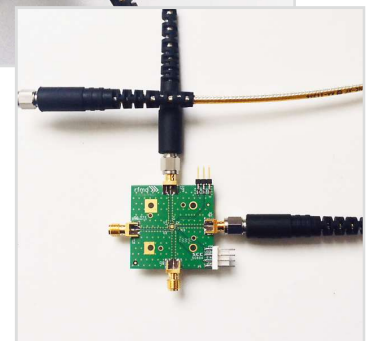
SilverLine®-ExtraFlex uses the same robust, proven connector attachment system that has made SilverLine® the preferred choice in RF test labs everywhere. A new injection-molded strain relief system designed to match the cable's flexibility assures the cable will bend tightly but not fail prematurely behind the connector.

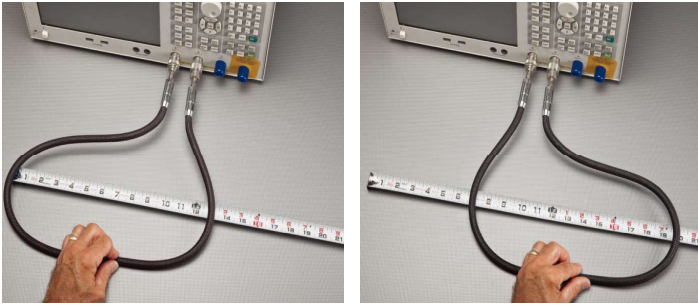
**Features and Benefits :**

- 30% Smaller than Standard SilverLine®
- Improved Flexibility
- RF Stable With Flexure
- Better than -90dB Isolation
- 26.5 Ghz Operation
- Linear Phase Change From 0° to 30°C
- Injection-Molded Strain Relief
- ROHS Compliant



Test fixture photo courtesy of Inter-Continental Microwave [www.icmicrowave.com](http://www.icmicrowave.com)





\*\* Phase stability data IAW Times' phase/flex test criteria as demonstrated above.

**Connectors:**

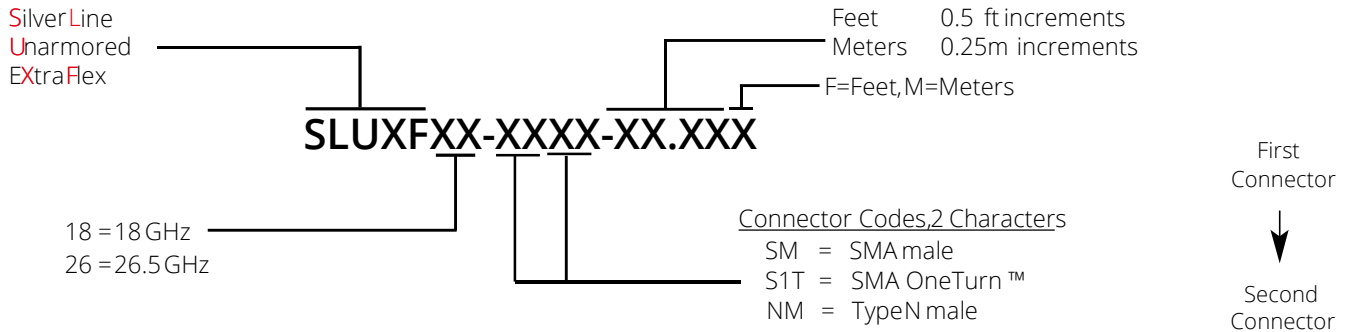
- Stainless steel
- Solder/Clamp attachment
- Captive contact construction

\* Mating life assumes the use of a calibrated torque wrench, interfaces are clean and within mil specs limits.

Mechanical Specifications			
Dimensions	in	mm	
Armored Diameter	0.15	3.80	
Min bend radius (max flex life)	0.75	19	
Mating life cycle *	5000		
Temperature range	-67°/+ 257 °F	-55°/+125 °C	
Electrical Specifications			
Impedance	50 Ohms		
Velocity of Propagation	70%		
Shielding Effectiveness	>-90 dB		
VSWR (maximum)	<b>18 GHz</b>	<b>26.5 GHz</b>	
	1.30:1	1.35:1	
Phase Stability (50,000 cycles)**	max		
	+/-2.0°	+/-3.0°	
Amplitude Stability (dB)**	max		
	+/-0.1	+/-0.1	
Attenuation, max@77°F (25°C)	dB/100 ft	(dB/100 m)	
	1 GHz	16	52
	2 GHz	24	79
	6 GHz	45	148
	12 GHz	66	216
	18 GHz	85	279
	26.5 GHz	102	335

Attenuation (per 100ft) at any frequency:  $0.49656 * \sqrt{f(\text{MHz})} + 0.0008 * f(\text{MHz})$   
 Specifications subject to change without notice.

**Ordering Information:**



A brand new cable can have a break-in period of several hundred flexes.